

QUICK RELEASE  
**LEVER CLAMPS**



Our brand new range  
is now available!

NEW!

# QUICK RELEASE LEVER CLAMPS

Introducing three new **Quick Release Lever Clamps** ideal for gluing, positioning & fastening in wood working applications.

- Lightweight Aluminium frames are both strong and durable
- Lever-operated ratcheting clamp arm is easy to operate and generates secure clamping power and locks onto the workpiece with ease
- Features a rapid clamping action with a quick release button that instantly releases the clamp
- Capable of achieving up to 180Kg of sustained holding force
- Soft removable TPR pads stay fixed to clamp giving an even distribution of clamping force across the workpiece protecting it from marking damage
- Available with an 80mm throat depth in 4", 8" & 12" bar lengths.



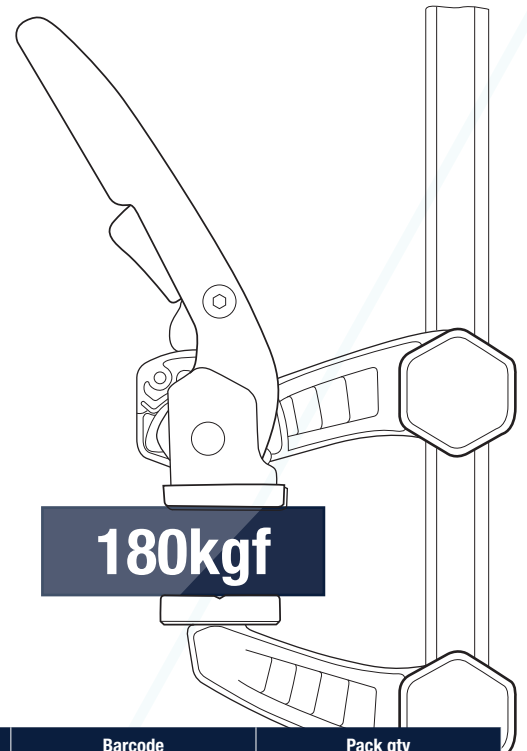
Ratcheting clamp action



Removable pads



Lever arm



180kgf

Part no	Description	Barcode	Pack qty
EOHBC6-HD	6" Heavy-Duty One-Handed Bar Clamp	5012095613572	6
EOHBC12-HD	12" Heavy-Duty One-Handed Bar Clamp	5012095613589	6
EOHBC18-HD	18" Heavy-Duty One-Handed Bar Clamp	5012091613596	6
EOHBC24-HD	24" Heavy-Duty One-Handed Bar Clamp	5012095613602	6
EOHBC36-HD	36" Heavy-Duty One-Handed Bar Clamp	5012095613619	6

For further information on these on any of our products, please email us via [sales@eclipse-tools.com](mailto:sales@eclipse-tools.com) or alternatively visit our website below.

[www.eclipse-tools.co.uk](http://www.eclipse-tools.co.uk)

**ECLIPSE**  
PROFESSIONAL TOOLS