

QUICK RELEASE
LEVER CLAMPS



Our brand new range
is now available!

NEW!

QUICK RELEASE LEVER CLAMPS

Introducing three new **Quick Release Lever Clamps** ideal for gluing, positioning & fastening in wood working applications.

- Lightweight Aluminium frames are both strong and durable
- Lever-operated ratcheting clamp arm is easy to operate and generates secure clamping power and locks onto the workpiece with ease
- Features a rapid clamping action with a quick release button that instantly releases the clamp
- Capable of achieving up to 180Kg of sustained holding force
- Soft removable TPR pads stay fixed to clamp giving an even distribution of clamping force across the workpiece protecting it from marking damage
- Available with an 80mm and 120mm throat depth in 4", 8" & 12" bar lengths.



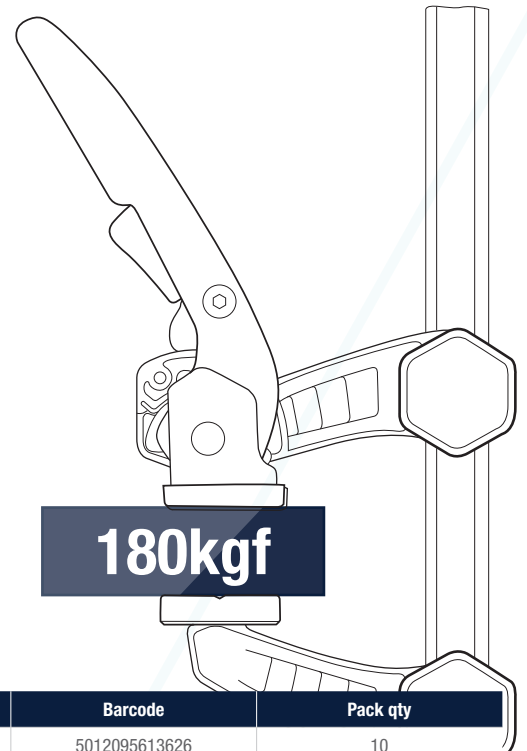
Ratcheting clamp action



Removable pads



Lever arm



180kgf

Part no	Description	Barcode	Pack qty
ELC80-4	Quick Release Lever Clamp 4" (80mm Throat Depth)	5012095613626	10
ELC80-8	Quick Release Lever Clamp 8" (80mm Throat Depth)	5012095613633	10
ELC80-12	Quick Release Lever Clamp 12" (80mm Throat Depth)	5012095613640	10
ELC120-4	Quick Release Lever Clamp 4" (120mm Throat Depth)	5012095613657	10
ELC120-8	Quick Release Lever Clamp 8" (120mm Throat Depth)	5012095613664	10
ELC120-12	Quick Release Lever Clamp 12" (120mm Throat Depth)	5012095613688	10

For further information on these on any of our products, please email us via sales@eclipse-tools.com or alternatively visit our website below.

www.eclipse-tools.co.uk

ECLIPSE
PROFESSIONAL TOOLS