

Introducing our brand new range of

ONE-HANDED BAR CLAMPS



NEW!

MINI AND MICRO ONE-HANDED BAR CLAMPS

Introducing **Mini and Micro One-Handed Bar Clamps** to complement our existing range of Eclipse one-handed bar clamps and spreaders, ideal for small wood-working projects, working in confined spaces and delicate work requiring light clamping pressure.

- Strong plastic construction
- Mini will achieve up to 75kg of sustained holding force and has an easy push button system that allows quick change from clamping to spreading
- Micro will achieve up to 25kg of sustained holding force
- Removable pads stay fixed to the clamp giving an even distribution of clamping force across the workpiece protecting it from marking damage
- Insert trigger prevents accidental release.



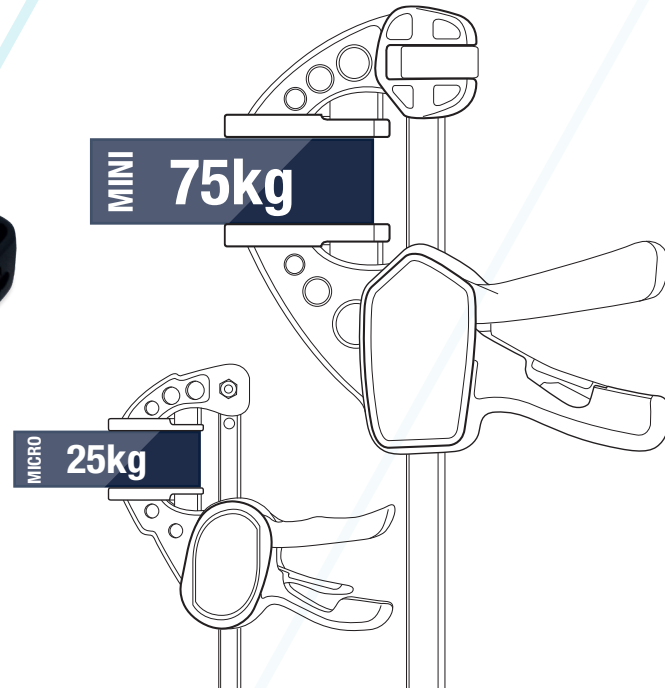
Alternative spreader option (Mini)



Removable pads



Insert trigger



	Part no	Description	Barcode	Pack qty
MINI	EOHBC6-MINI	6" Mini one handed bar clamp	5012095613558	16
	EOHBC12-MINI	12" Mini one handed bar clamp	5012095613565	16
MICRO	EOHBC4-MICRO	4" Micro one handed bar clamp	5012095613541	20

For further information on these on any of our products, please email us via sales@eclipse-tools.com or alternatively visit our website below.

www.eclipse-tools.co.uk

ECLIPSE
PROFESSIONAL TOOLS